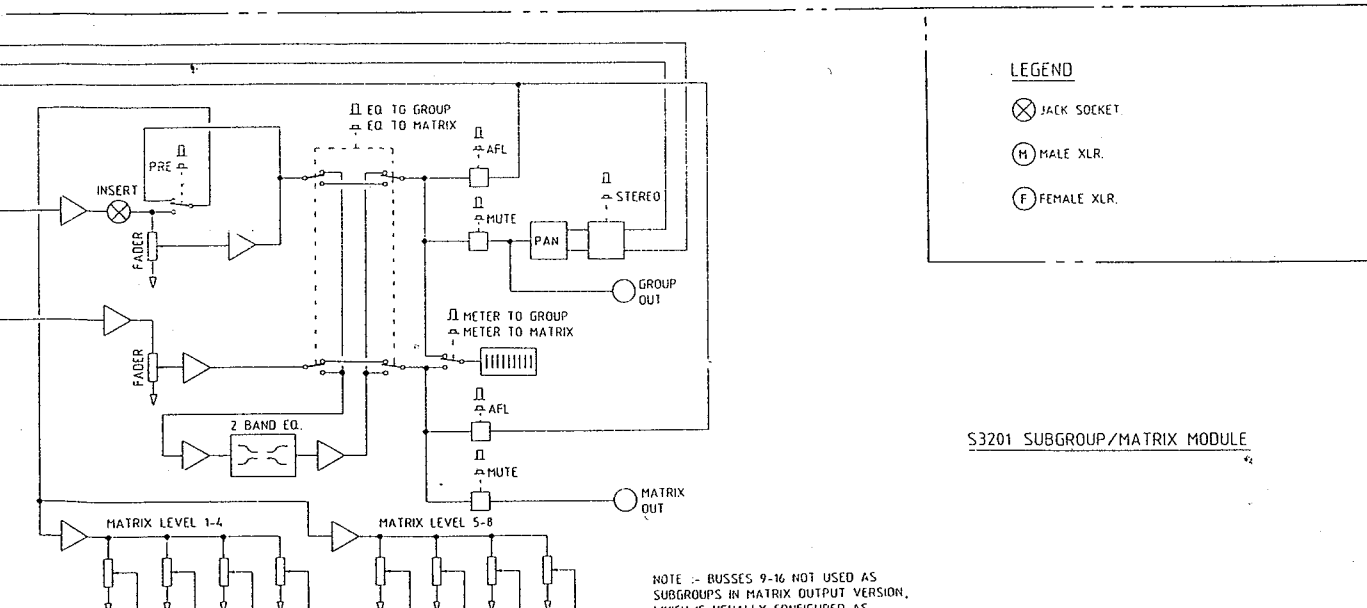
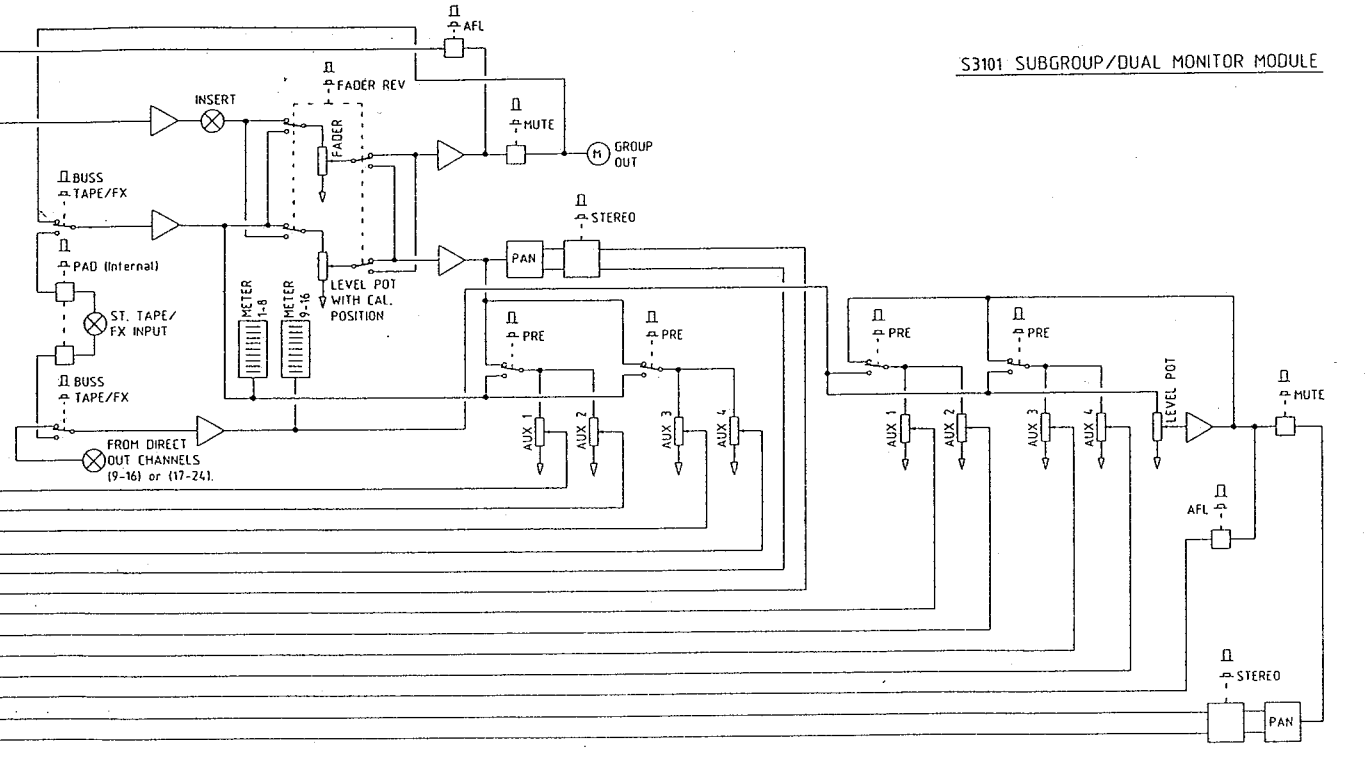
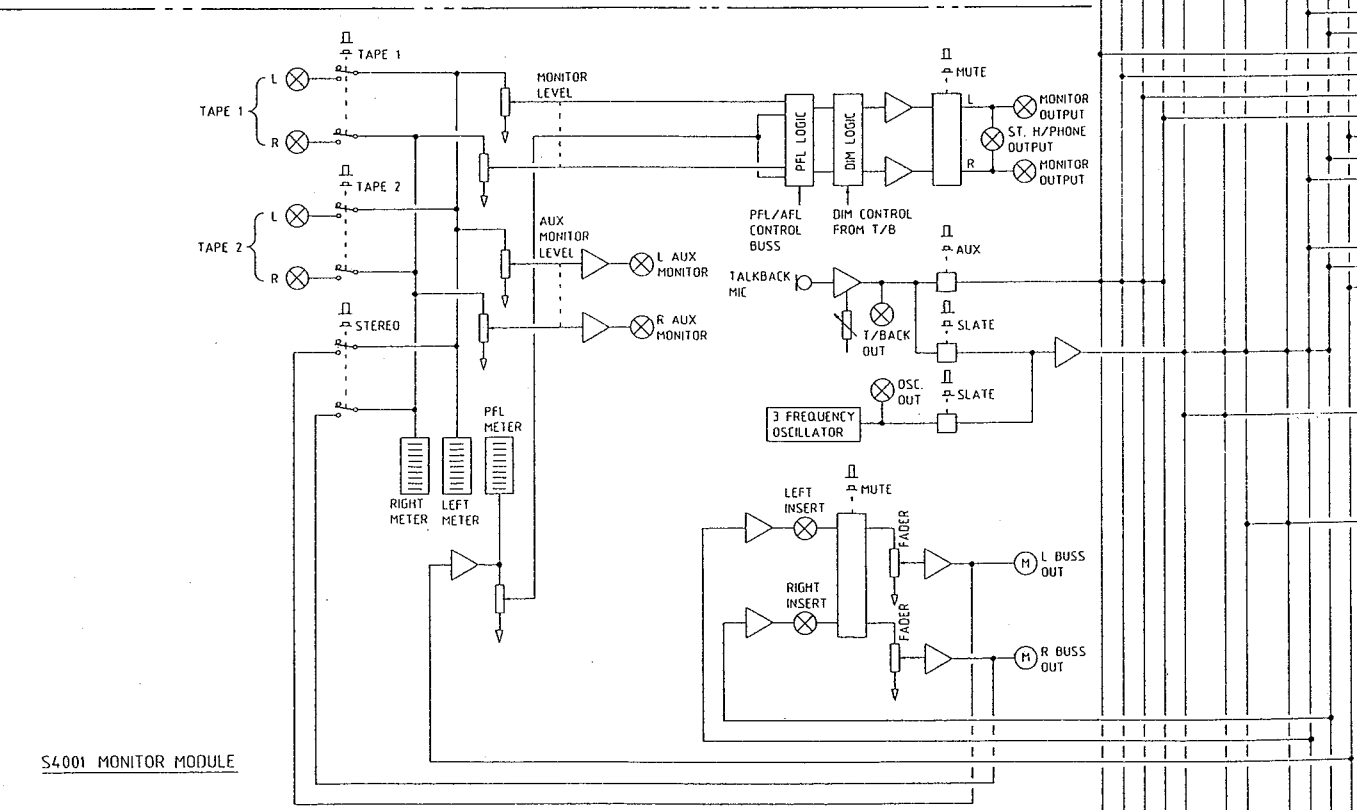
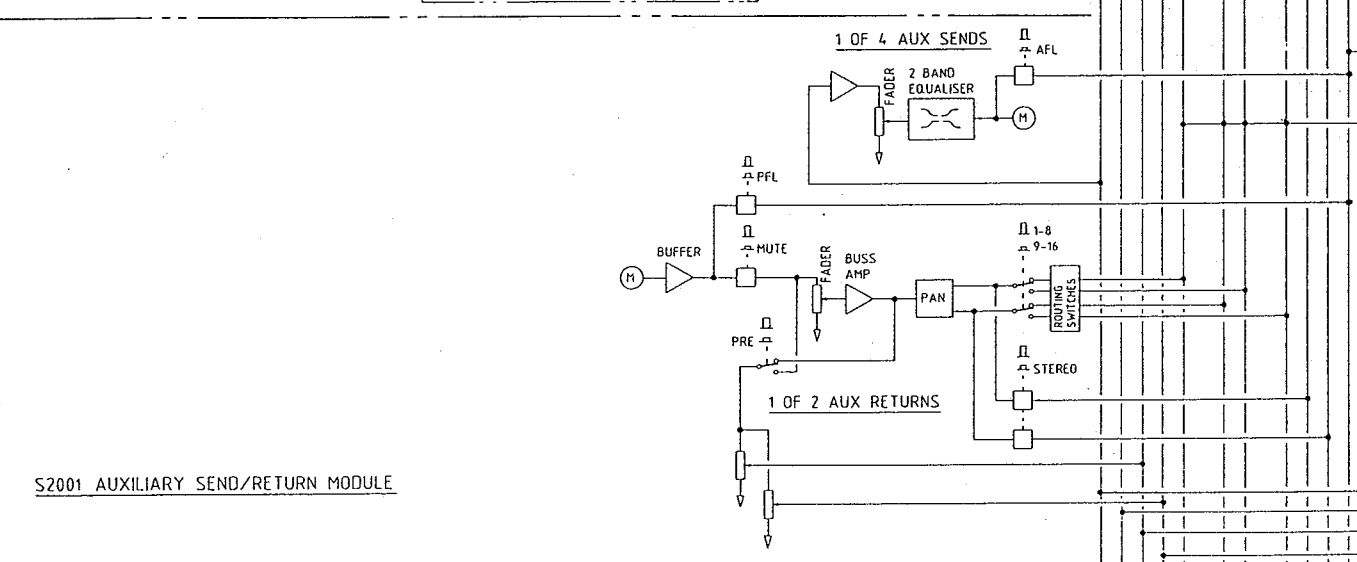
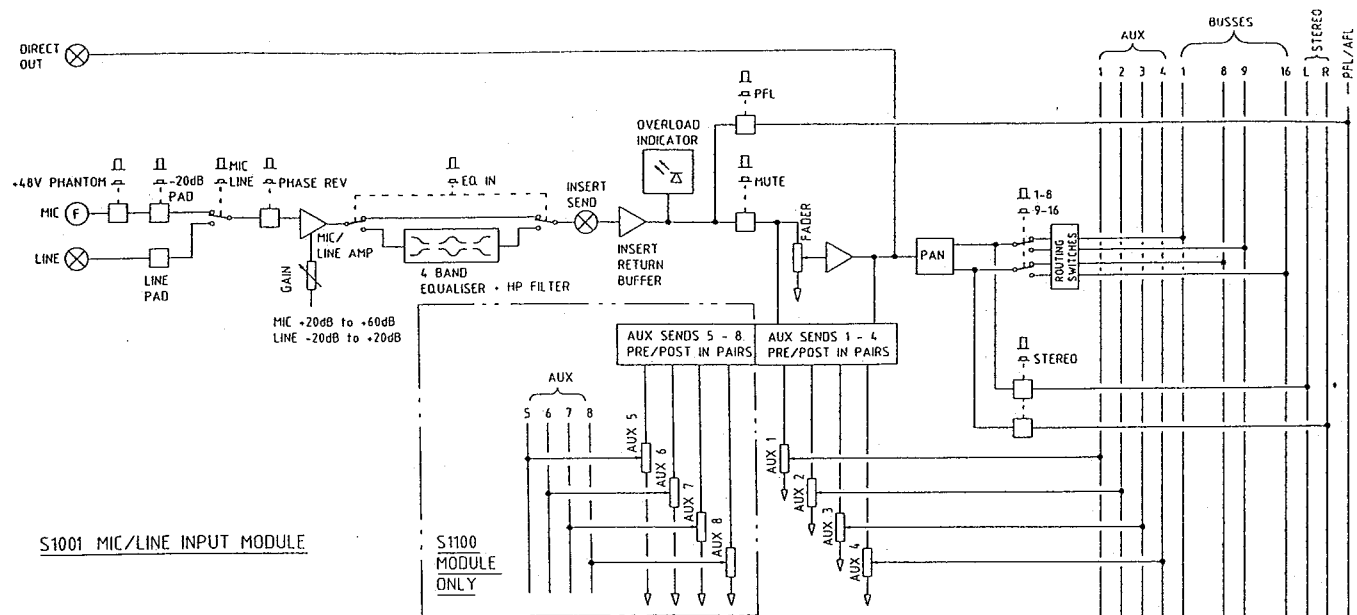
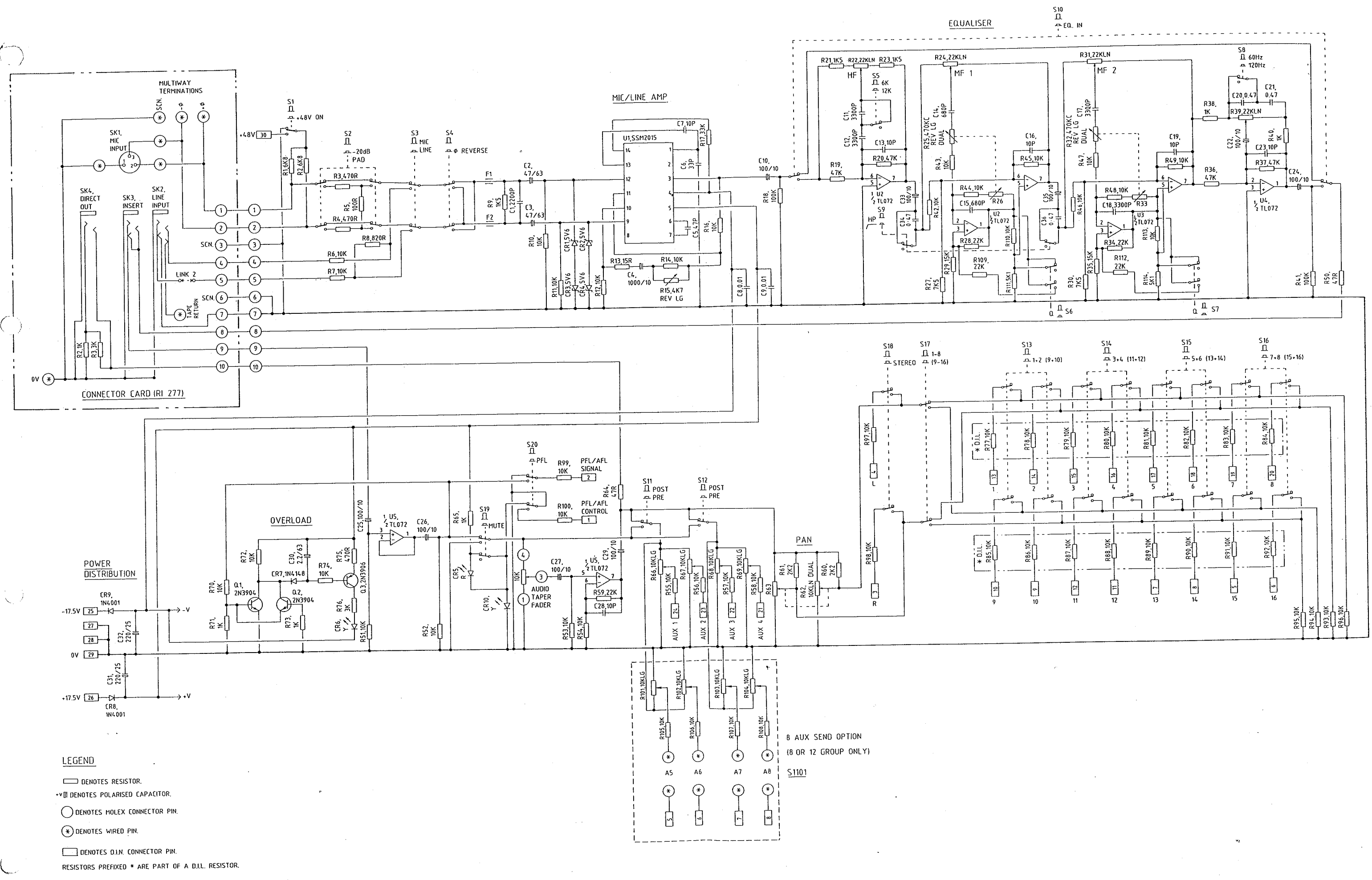


TAC SCORPION II BLOCK DIAGRAM

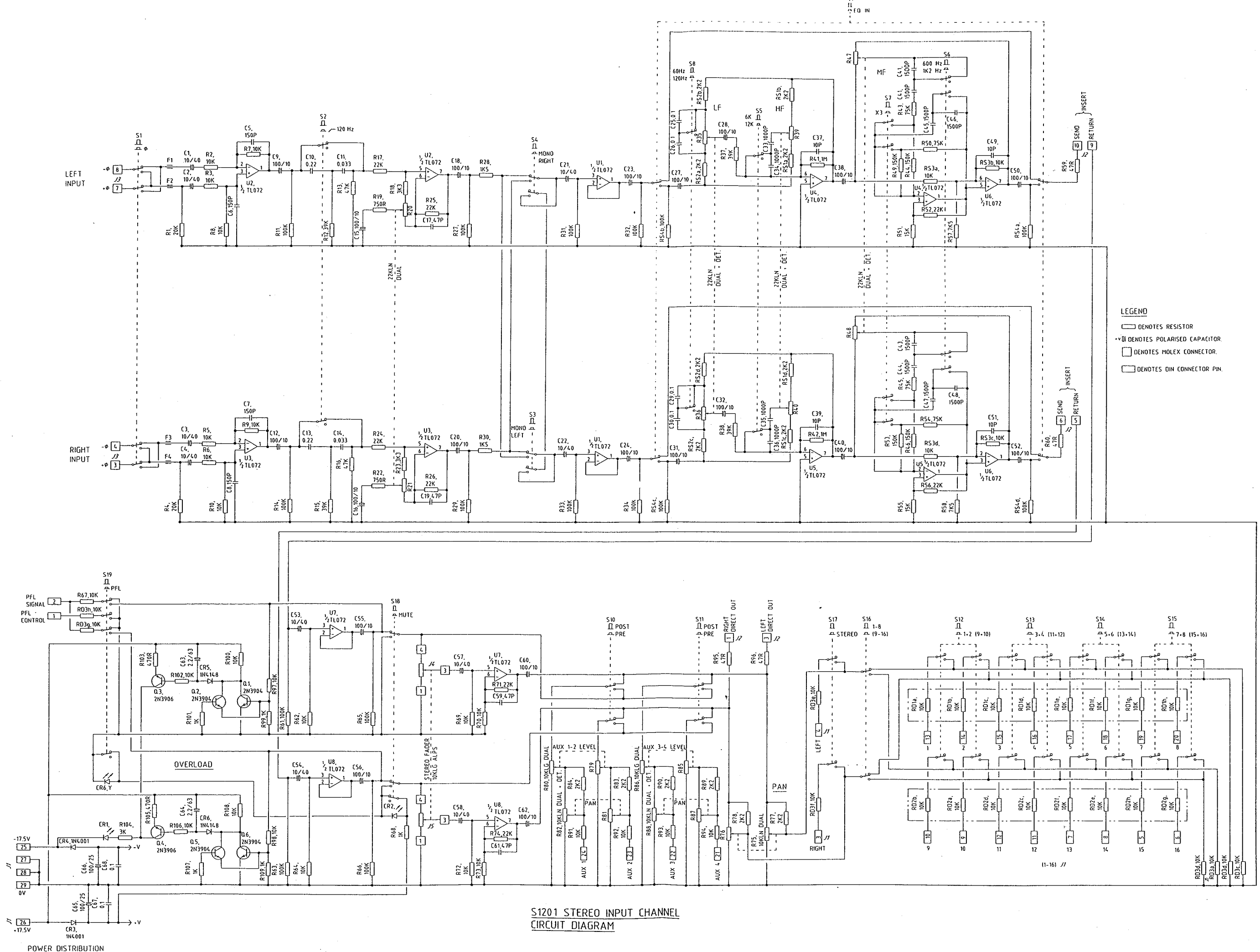


- LEGEND**
- ⊗ JACK SOCKET
 - ⊕ MALE XLR
 - ⊖ FEMALE XLR

NOTE - BUSES 9-16 NOT USED AS SUBGROUPS IN MATRIX OUTPUT VERSION, WHICH IS USUALLY CONFIGURED AS 8 SUBGROUPS.



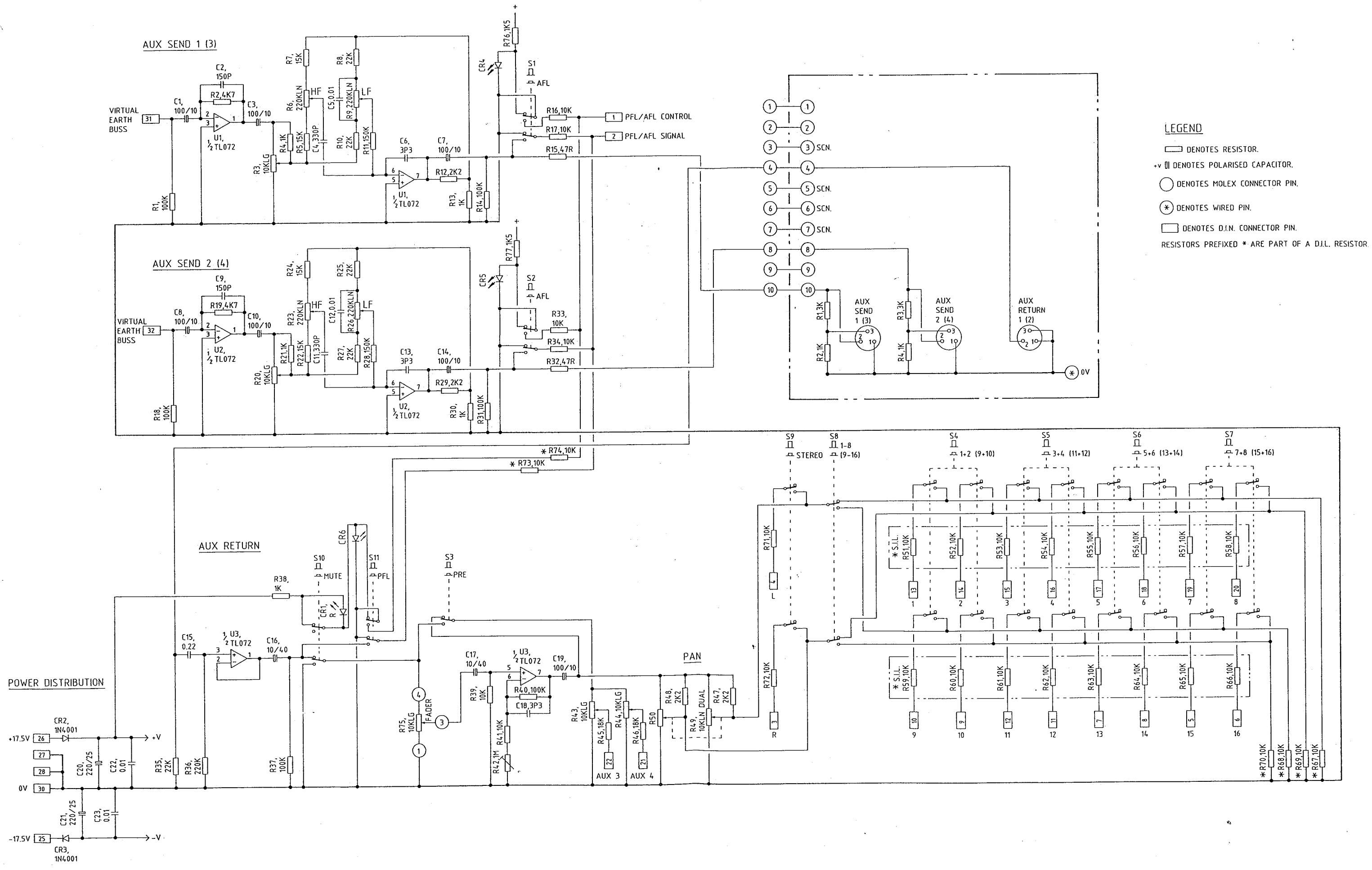
S1001/S1101 INPUT CHANNEL CIRCUIT DIAGRAM



LEGEND
 □ DENOTES RESISTOR
 ▭ DENOTES POLARISED CAPACITOR
 □ DENOTES MOLEX CONNECTOR
 □ DENOTES DIN CONNECTOR PIN

S1201 STEREO INPUT CHANNEL
 CIRCUIT DIAGRAM

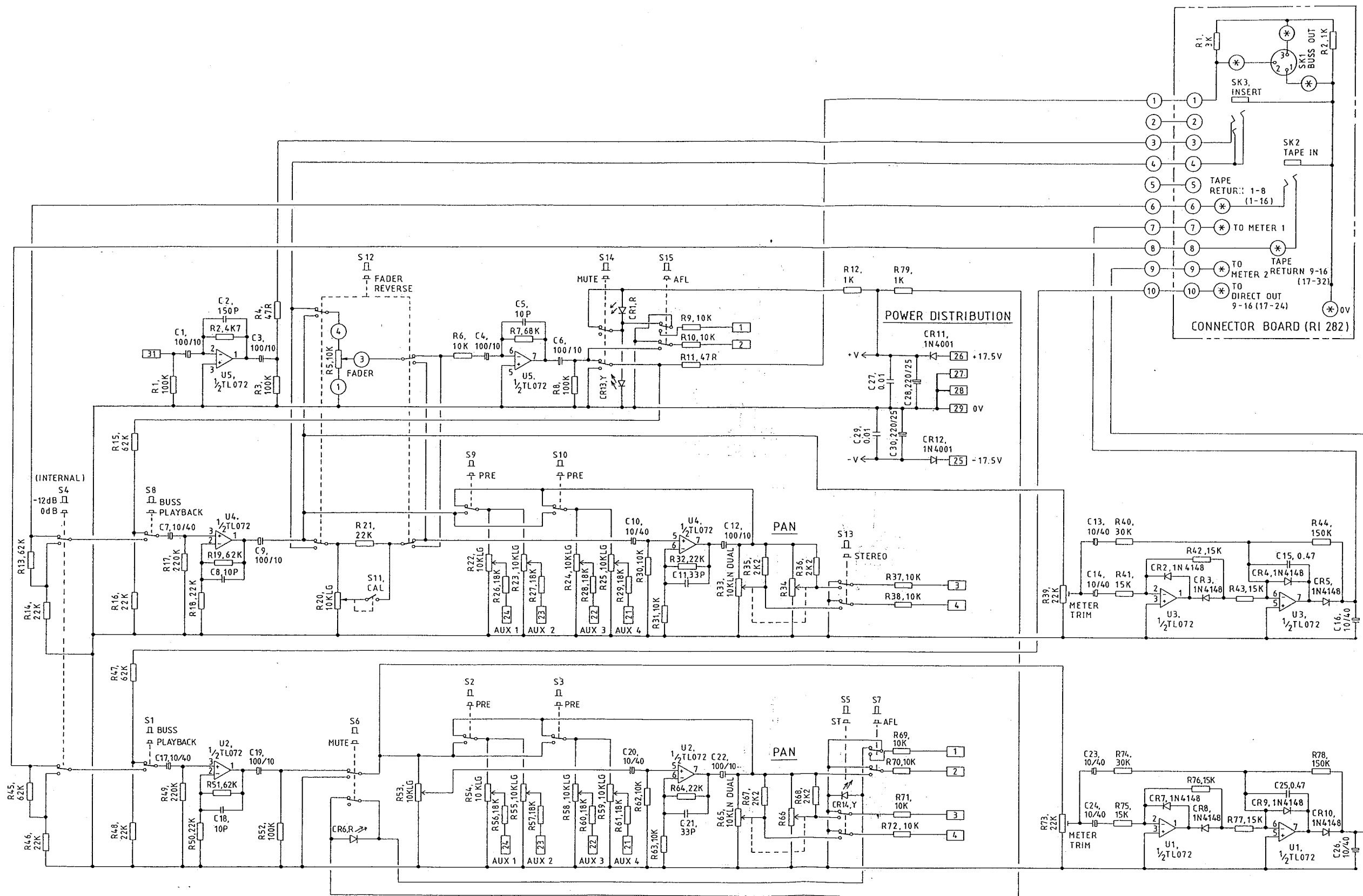
POWER DISTRIBUTION



LEGEND

- DENOTES RESISTOR.
- ⊕ DENOTES POLARISED CAPACITOR.
- DENOTES MOLEX CONNECTOR PIN.
- * DENOTES WIRED PIN.
- DENOTES D.I.N. CONNECTOR PIN.
- RESISTORS PREFIXED * ARE PART OF A D.I.L. RESISTOR.

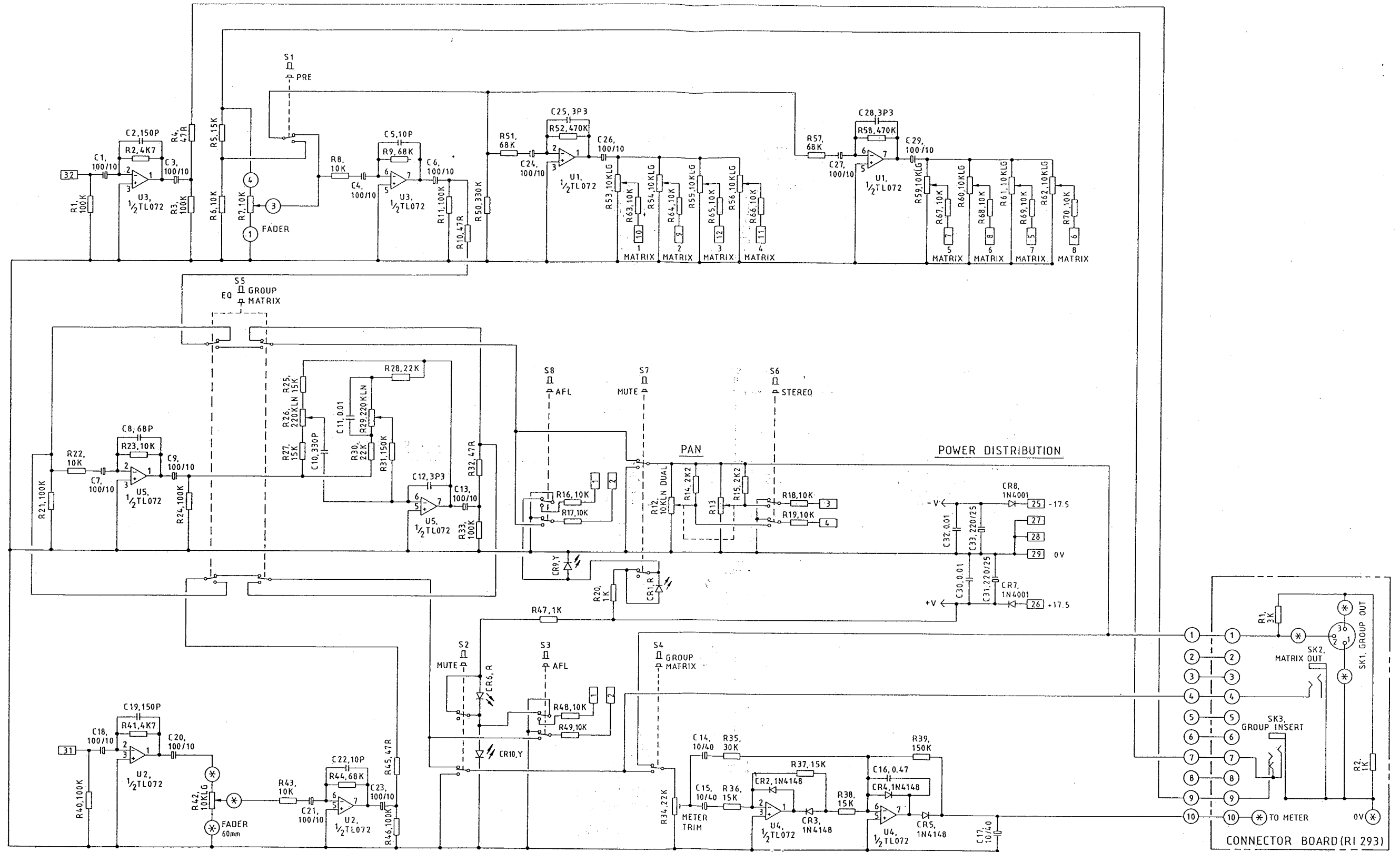
SCORPION S2001 AUX SEND/RETURN CHANNEL



S3101 SUBGROUP MODULE

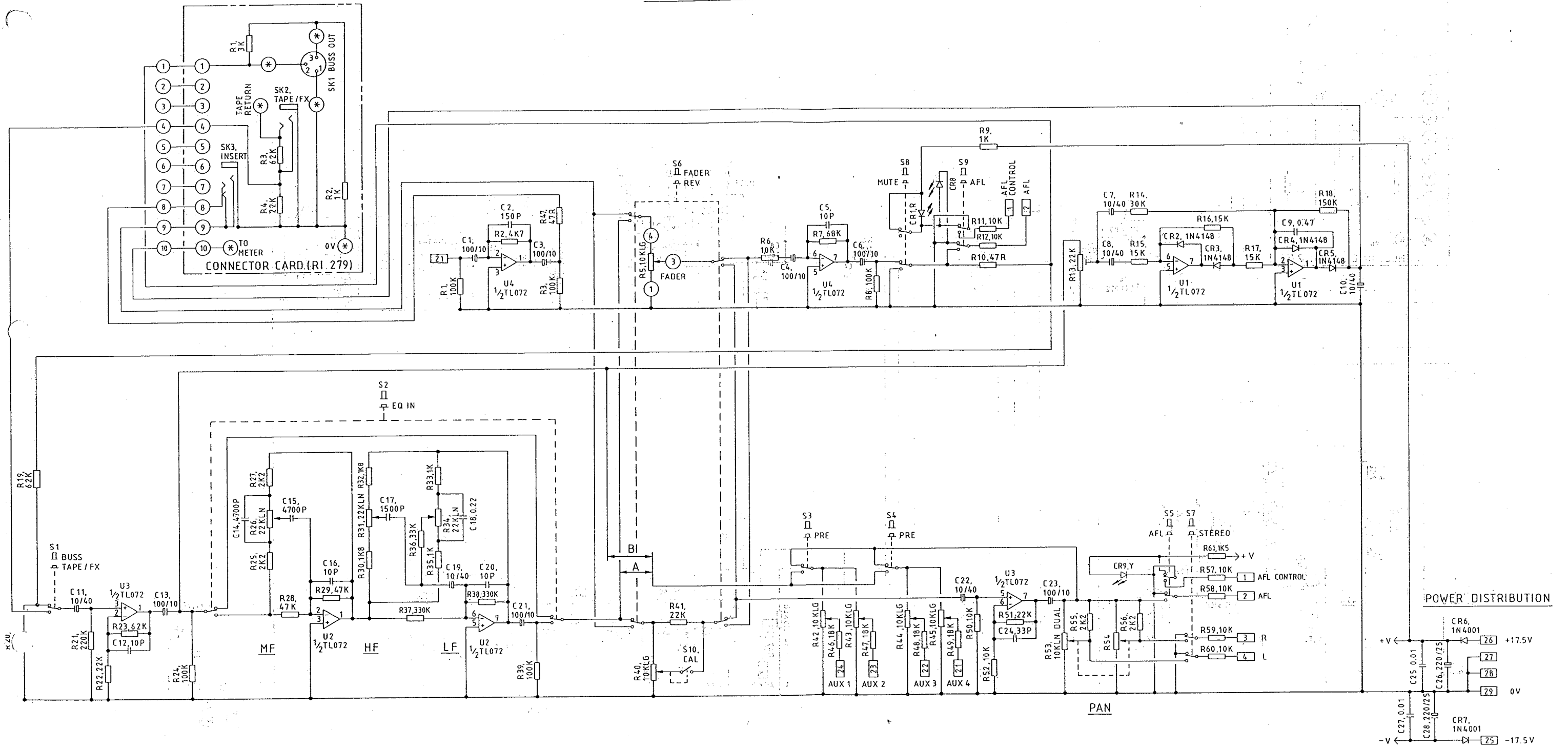
LEGEND

- DENOTES RESISTOR.
- +V ▯ DENOTES POLARISED CAPACITOR.
- DENOTES MOLEX CONNECTOR PIN.
- ⊗ DENOTES WIRED PIN.
- DENOTES INDIRECT BOARD CONNECTOR PIN.



- LEGEND**
- DENOTES RESISTOR.
 - +V|| DENOTES POLARISED CAPACITOR.
 - DENOTES MOLEX CONNECTOR PIN.
 - * DENOTES WIRED PIN.
 - DENOTES INDIRECT BOARD CONNECTOR PIN.

S3301 SUBGROUP CHANNEL



LEGEND

- DENOTES RESISTOR.
- +V □ DENOTES POLARISED CAPACITOR.
- DENOTES MOLEX CONNECTOR PIN.
- ⊛ DENOTES WIRED PIN.
- DENOTES INDIRECT BOARD CONNECTOR PIN.

